

# JSAR | JSAR-320



以全新的角度展現...

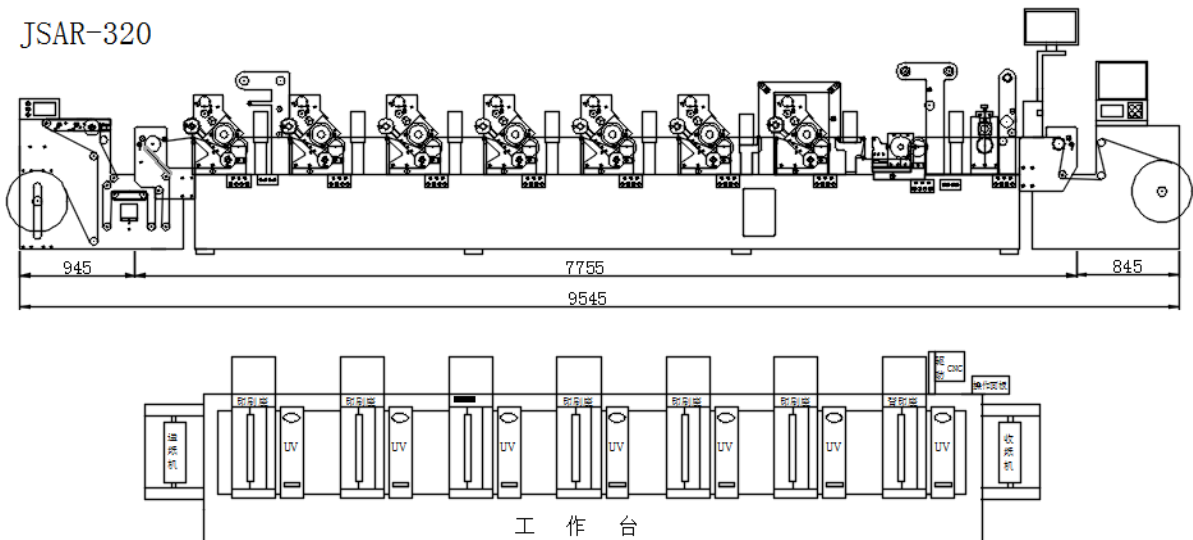
# JSAR-320全輪轉凸版組合式印刷機

1. 以凸版印刷為主，結合柔版印刷模式及多工藝組合，真正為印刷企業實現增效降耗。  
Letterpress Machine combine flexo and multiple technology to enhance productivity and reduce cost and unnecessary lost.
2. 印刷壓力平整，網點密度高於柔版及衛星式凸版，圖文還原率更高  
Perfect and evenness printing pressure, higher dot density than flexo and CI letterpress, better graphic reproduction.
3. 基本功能：凸版印刷、柔版印刷、正反印刷、膠水面印刷、冷燙（可選前後或自由搭配）上光油、覆膜、圓模切。可選配絲印、噴碼、凹版等各種工藝  
Basic Function: Letterpress, Flexo, Turn Bar, Print on Glue, Cold Foil in flexible position, Vanish, Lamination, Rotary Die cut, Option(Screen print, UV inkjet coding, Gravure)
4. 整機全伺服傳動  
Full Servo Motor Driven
  - A. 電腦預套位，調校簡單便捷，單人輕鬆操作（間歇式師傅輕鬆上手）  
Preregister, Quick adjustment, One staff can easy operate
  - B. 大大降低調校時間，節約主輔材  
Reduce huge make ready time and save the substrate and consumable cost.
  - C. 套印精度更高，印刷速度更快，圖文效果更穩定  
Better overprint accuracy, higher speed and more stable printing quality
  - D. 印刷版筒無需齒輪，套色壓印穩定，且無墨槓  
No need to change gear when change print cylinder, stable print pressure and density, no roller mark.
  - E. 全新墨路設計，加減速無色差，控墨更方便  
Brand new design ink train, no color deviation when speed change, more convenient with ink adjustment.
  - F. 印刷長度 200mm-508mm 皆可（不受齒輪齒數造成的印刷尺寸限制）實際印刷速度 10-120m/分鐘  
Available print repeat in 200mm-508mm, No printing size limitation due to gear Z, printing speed up to 120 meter per minute.

## JSAR-320 規格表 Spec Sheet

型号Module	JSAR-320
印刷最大紙寬Max Print Width	320mm
卷材最大寬度Max Web Width	340mm
印刷周長Printing Repeat	Z63-160(200mm-508mm)
印刷速度Print Speed	10-120m/min
最大放卷直徑Max Unwind Roll Diameter	1000mm
最大放卷直徑Max Rewind Roll Diameter	1000mm
UV干燥機 UV Dryer	5.6KW × N unit
機械尺寸Machine Dimension ( L.W.H )	7755mmx1450mmx1600mm
機械重量Machine Weight	8000KG
主機功率Power Consumption	39KW

JSAR-320



7 座凸版+1 座柔版+圓刀 ( 冷燙、膠面印刷、背印、光油 ) ，可選配絲印 噴碼 凹版等各種工藝

7 letterpress+1 flexo+Rotary Die cut ( Cold Foil 、 Print on Glue 、 Turn bar 、 Vanish ) ， Option ( Screen, Gravure and UV Inkjet coding )

